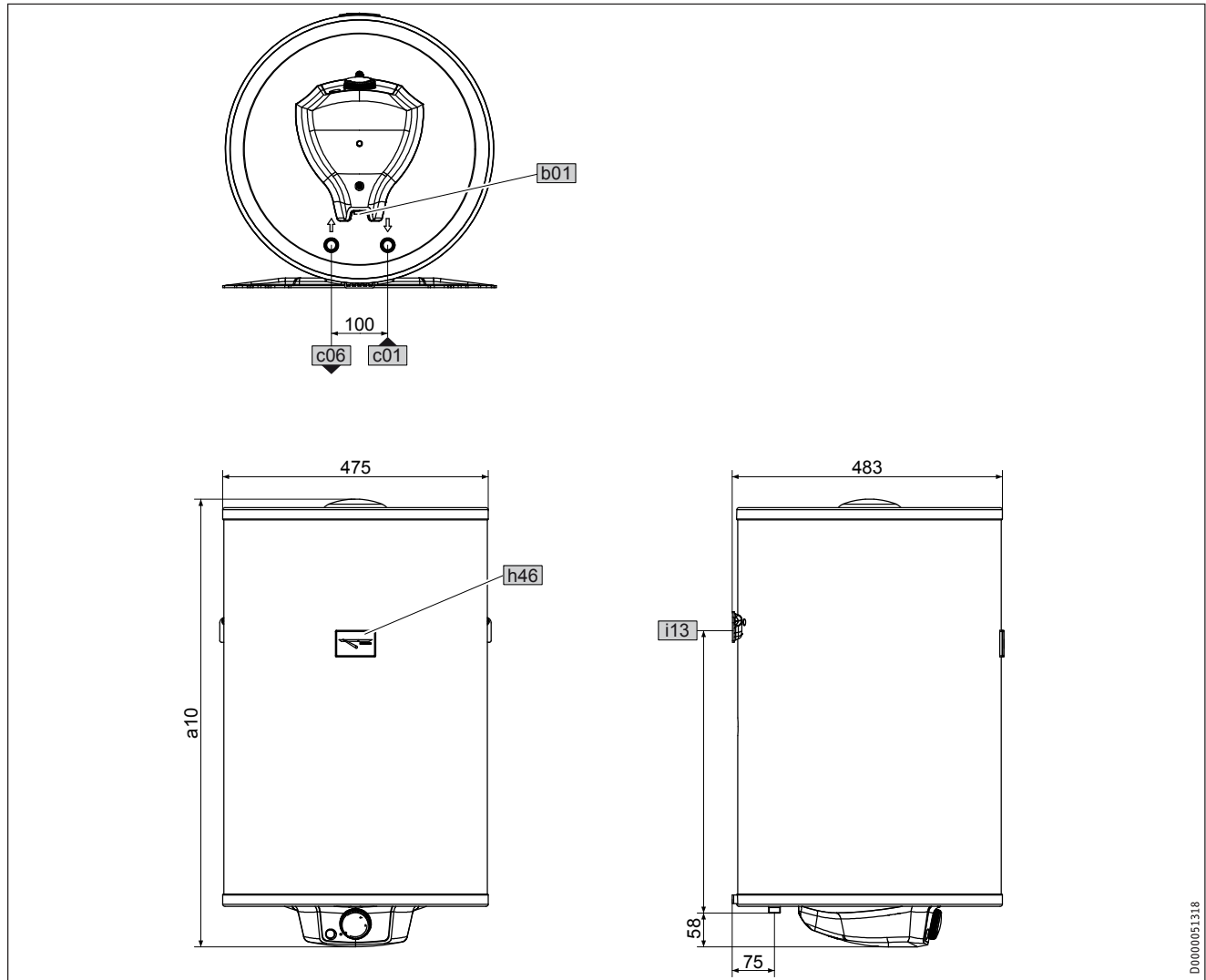


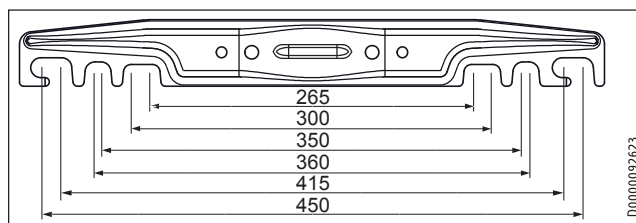
15. Specification

15.1 Dimensions and connections



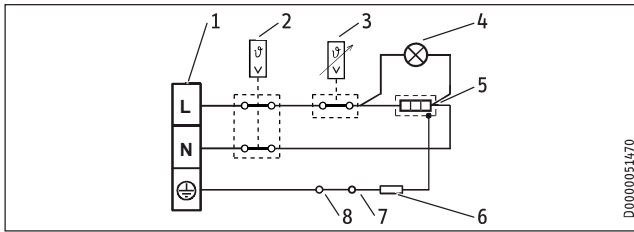
			PSH 50 Classic	PSH 80 Classic	PSH 100 Classic	PSH 120 Classic	PSH 150 Classic	PSH 200 Classic	
a10	Appliance	Height	mm	609	810	964	1117	1349	1704
b01	Entry electrical cables								
c01	Cold water inlet	Male thread	G 1/2 A	G 1/2 A	G 1/2 A	G 1/2 A	G 1/2 A	G 1/2 A	
c06	DHW outlet	Male thread	G 1/2 A	G 1/2 A	G 1/2 A	G 1/2 A	G 1/2 A	G 1/2 A	
h46	Temperature indicator								
i13	Wall mounting bracket	Height	mm	450	520	790	825	1060	1360

Wall mounting bracket



INSTALLATION Specification

15.2 Wiring diagram

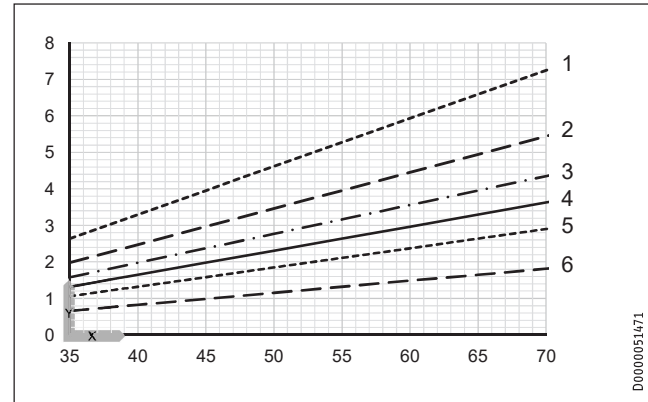


- 1 Terminal
- 2 High limit safety cut-out
- 3 Temperature controller
- 4 ON/OFF indicator
- 5 Heating element
- 6 Electrical resistance 560 ohm
- 7 Anode
- 8 Cylinder

15.3 Heat-up diagrams

The heat-up time depends on the cylinder capacity, cold water inlet temperature and heating output.

Graph assumes 15 °C cold water inlet temperature:



X Temperature setting [°C]

Y Heat-up time [h]

1 200 l

2 150 l

3 120 l

4 100 l

5 80 l

6 50 l

15.4 Fault conditions

In the event of a fault, temperatures of up to 95 °C at 0.6 MPa can occur.

15.5 Details on energy consumption

Product datasheet: Conventional water heaters to regulation (EU) no. 814/2013

		PSH 50 Classic	PSH 80 Classic	PSH 100 Classic	PSH 120 Classic	PSH 150 Classic	PSH 200 Classic
		235960	235961	235962	235963	235964	235965
Manufacturer		STIEBEL ELTRON	STIEBEL ELTRON	STIEBEL ELTRON	STIEBEL ELTRON	STIEBEL ELTRON	STIEBEL ELTRON
Load profile		M	M	L	L	L	XL
Energy efficiency class		C	C	C	C	C	C
Energy conversion efficiency	%	38	37	38	38	37	38
Annual power consumption	kWh	1353	1386	2694	2723	2766	4406
Default temperature setting	°C	60	60	60	60	60	60
Sound power level	dB(A)	15	15	15	15	15	15
Option for exclusive operation during off-peak periods		-	-	-	-	-	-
Smart function		-	-	-	-	-	-
Cylinder capacity	l	53	80	100	120	150	192
Mixed water volume at 40 °C	l	82	125	168	219	270	347
Daily power consumption	kWh	6.253	6.448	12.452	12.620	12.876	20.363

15.6 Data table

		PSH 50 Classic	PSH 80 Classic	PSH 100 Classic	PSH 120 Classic	PSH 150 Classic	PSH 200 Classic
		235960	235961	235962	235963	235964	235965
Hydraulic data							
Nominal capacity	l	53	80	100	120	150	192
Mixed water volume at 40 °C	l	82	125	168	219	270	347
Electrical data							
Connected load ~ 230 V	kW	1.8	1.8	1.8	1.8	1.8	1.8
Rated voltage	V	220-240	220-240	220-240	220-240	220-240	220-240
Phases		1/N/PE	1/N/PE	1/N/PE	1/N/PE	1/N/PE	1/N/PE
Frequency	Hz	50/60	50/60	50/60	50/60	50/60	50/60
Single circuit operating mode		X	X	X	X	X	X
Heat-up time from 15°C to 65°C	h	1.81	2.64	3.3	3.96	4.94	6.59
Application limits							
Temperature setting range	°C	30-70	30-70	30-70	30-70	30-70	30-70
Max. permissible pressure	MPa	0.6	0.6	0.6	0.6	0.6	0.6
Max. permissible temperature	°C	95	95	95	95	95	95
Max. flow rate	l/min	23.5	23.5	23.5	23.5	23.5	23.5
Min./max. conductivity, drinking water	µS/cm	100-1500	100-1500	100-1500	100-1500	100-1500	100-1500
Energy data							
Standby energy consumption/24 h at 65 °C	kWh	0.96	1.22	1.47	1.73	2.05	2.45
Energy efficiency class		C	C	C	C	C	C
Versions							
Sealed unvented type		X	X	X	X	X	X
IP rating		IP24	IP24	IP24	IP24	IP24	IP24
Frost protection setting	°C	7	7	7	7	7	7
Colour		White	White	White	White	White	White
Dimensions							
Height	mm	609	810	964	1117	1349	1704
Depth	mm	483	483	483	483	483	483
Diameter	mm	475	475	475	475	475	475
Weights							
Weight, full	kg	72	104	128	152	189	242
Weight, empty	kg	19	24	28	32	39	50

Guarantee

The guarantee conditions of our German companies do not apply to appliances acquired outside of Germany. In countries where our subsidiaries sell our products a guarantee can only be issued by those subsidiaries. Such guarantee is only granted if the subsidiary has issued its own terms of guarantee. No other guarantee will be granted.

We shall not provide any guarantee for appliances acquired in countries where we have no subsidiary to sell our products. This will not affect warranties issued by any importers.

Environment and recycling

We would ask you to help protect the environment. After use, dispose of the various materials in accordance with national regulations.